

2 FLOOR PLAN VIEW OF UPPER CABINETS

Scale: 3/4" = 1' 0"

CLIENT NAME/INFO:

ADDRESS:

ROOM:  
KITCHEN

PRODUCT DESIGN AND SPECIFICATION:

MATERIAL:

WD-1	MAPLE
PLY-1	MAPLE PLYWOOD
MDF-1	BENJAMIN MOORE/ SWISS COFFEE/ OC-45
MDF-2	
ST	STONE
GL	GLASS
MT	METAL

DESIGN:

EDGEBANDING	MATCH TO EXTERIOR
COUNTERTOPS	BY OTHERS
BACKSPLASH	BY OTHERS
DECORATIVE HARDWARE	BY OTHERS
APPLIANCES	BY OTHERS
LIGHTING	BY OTHERS
MIRRORS	BY OTHERS

PLUMBING ACCESSORIES:

F-1	FAUCET/ BY OTHERS
SK-1	SINK (BY OTHERS)

HARDWARE:

H-01	TRASH
------	-------

APPLIANCES:

EQ-1	REFRIGERATOR/ SUB-ZERO- 650 (BY OTHERS)
EQ-2	DISHWASHER/ BOSH/ SHV4303UC (BY OTHERS)
EQ-3	DOUBLE OVEN/ GE/ P1755OSFSS (BY OTHERS)
EQ-4	MICROWAVE/ SHARP/ SKMD24F0AS (BY OTHERS)
EQ-5	COOKTOP/ TBD (BY OTHERS)
EQ-6	HOOD INSERT/ TBD (BY OTHERS)

CHANNEL:

CH - 1	TBD
--------	-----

OTHERS:

BY: KM

DRAWN: 08/01/2021

REVISION #1: 08/09/2021

REVISION #2: / /

REVISION #3: / /

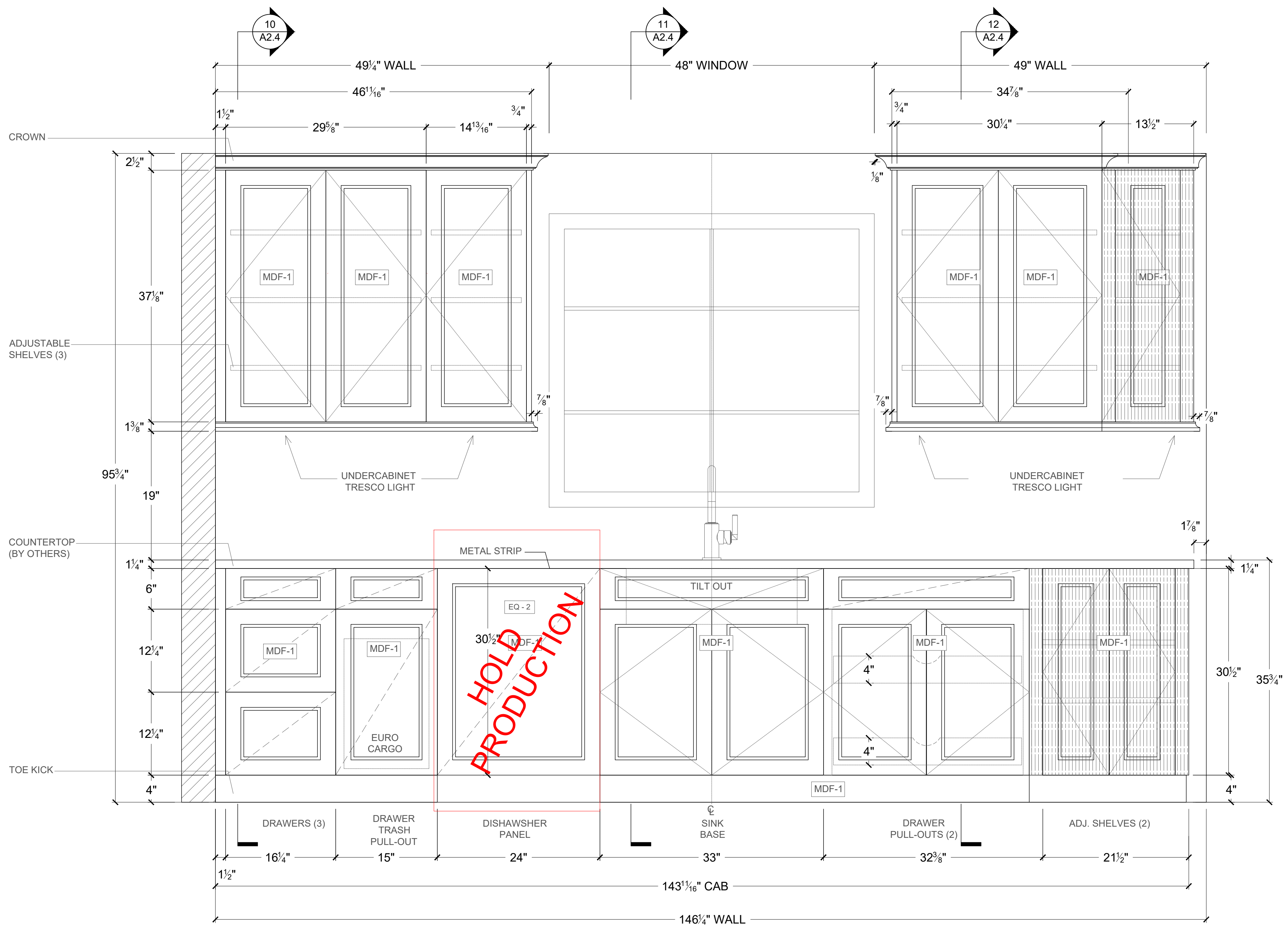
REVISION #4: / /

REVISION #5: / /

APPROVED BY:

CLIENT SIGNATURE:

DATE:



CLIENT NAME/INFO:

ADDRESS:

ROOM:  
KITCHEN

PRODUCT DESIGN AND SPECIFICATION:

MATERIAL:

WD-1	MAPLE
PLY-1	MAPLE PLYWOOD
MDF-1	BENJAMIN MOORE/ SWISS COFFEE/ OC-45
MDF-2	
ST	STONE
GL	GLASS
MT	METAL

DESIGN:

EDGEBANDING	MATCH TO EXTERIOR
COUNTERTOPS	BY OTHERS
BACKSPLASH	BY OTHERS
DECORATIVE HARDWARE	BY OTHERS
APPLIANCES	BY OTHERS
LIGHTING	BY OTHERS
MIRRORS	BY OTHERS

PLUMBING ACCESSORIES:

F-1	FAUCET/ BY OTHERS
SK-1	SINK (BY OTHERS)

HARDWARE:

H-01	TRASH
------	-------

APPLIANCES:

EQ-1	REFRIGERATOR/ SUB-ZERO- 650 (BY OTHERS)
EQ-2	DISHWASHER/ BOSH/ SHV4303UC (BY OTHERS)
EQ-3	DOUBLE OVEN/ GE/ P17550SFSS (BY OTHERS)
EQ-4	MICROWAVE/ SHARP/ SKMD24F0AS (BY OTHERS)
EQ-5	COOKTOP/ TBD (BY OTHERS)
EQ-6	HOOD INSERT/ TBD (BY OTHERS)

CHANNEL:

CH - 1	TBD
--------	-----

OTHERS:

BY: KM

DRAWN: 08/01/2021

REVISION #1: 08/09/2021

REVISION #2: / /

REVISION #3: / /

REVISION #4: / /

REVISION #5: / /

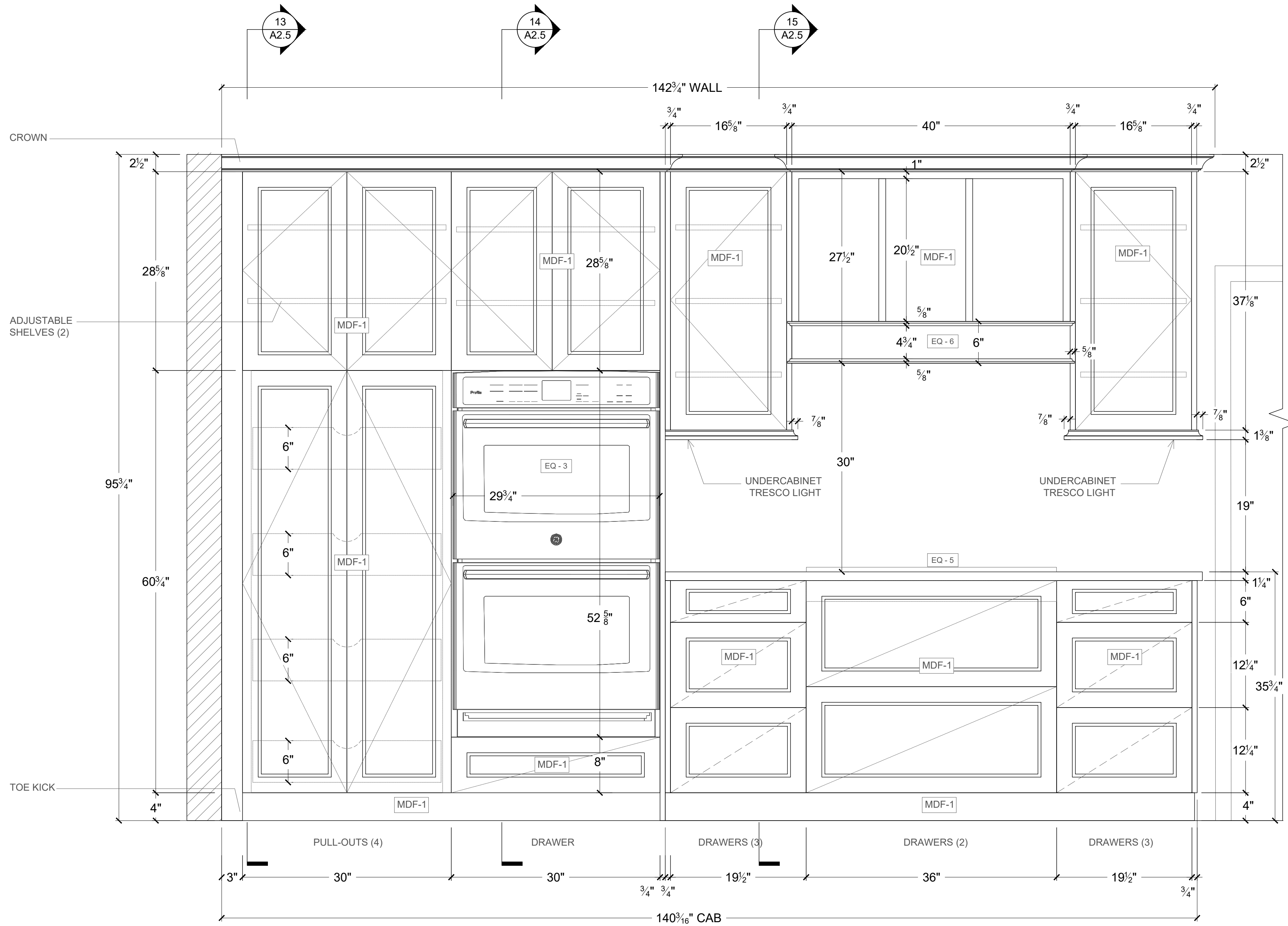
APPROVED BY:

CLIENT SIGNATURE:

DATE:

3 ELEVATION VIEW

Scale: 1-1/4" = 1' 0"



4 ELEVATION VIEW

Scale: 1-1/4" = 1' 0"

CLIENT NAME/INFO:

ADDRESS:

ROOM:  
KITCHEN

PRODUCT DESIGN AND SPECIFICATION:

MATERIAL:

WD-1	MAPLE
PLY-1	MAPLE PLYWOOD
MDF-1	BENJAMIN MOORE/ SWISS COFFEE/ OC-45
MDF-2	
ST	STONE
GL	GLASS
MT	METAL

DESIGN:

EDGE BANDING	MATCH TO EXTERIOR
COUNTERTOPS	BY OTHERS
BACKSPLASH	BY OTHERS
DECORATIVE HARDWARE	BY OTHERS
APPLIANCES	BY OTHERS
LIGHTING	BY OTHERS
MIRRORS	BY OTHERS

PLUMBING ACCESSORIES:

F-1	FAUCET/ BY OTHERS
SK-1	SINK (BY OTHERS)

HARDWARE:

H-01	TRASH
------	-------

APPLIANCES:

EQ-1	REFRIGERATOR/ SUB-ZERO- 650 (BY OTHERS)
EQ-2	DISHWASHER/ BOSCH/ SHV4303UC (BY OTHERS)
EQ-3	DOUBLE OVEN/ GE/ P17550SFSS (BY OTHERS)
EQ-4	MICROWAVE/ SHARP/ SKMD24F0AS (BY OTHERS)
EQ-5	COOKTOP/ TBD (BY OTHERS)
EQ-6	HOOD INSERT/ TBD (BY OTHERS)

CHANNEL:

CH - 1	TBD
--------	-----

OTHERS:

BY: KM

DRAWN: 08/01/2021

REVISION #1: 08/09/2021

REVISION #2: \_/ \_/ \_

REVISION #3: \_/ \_/ \_

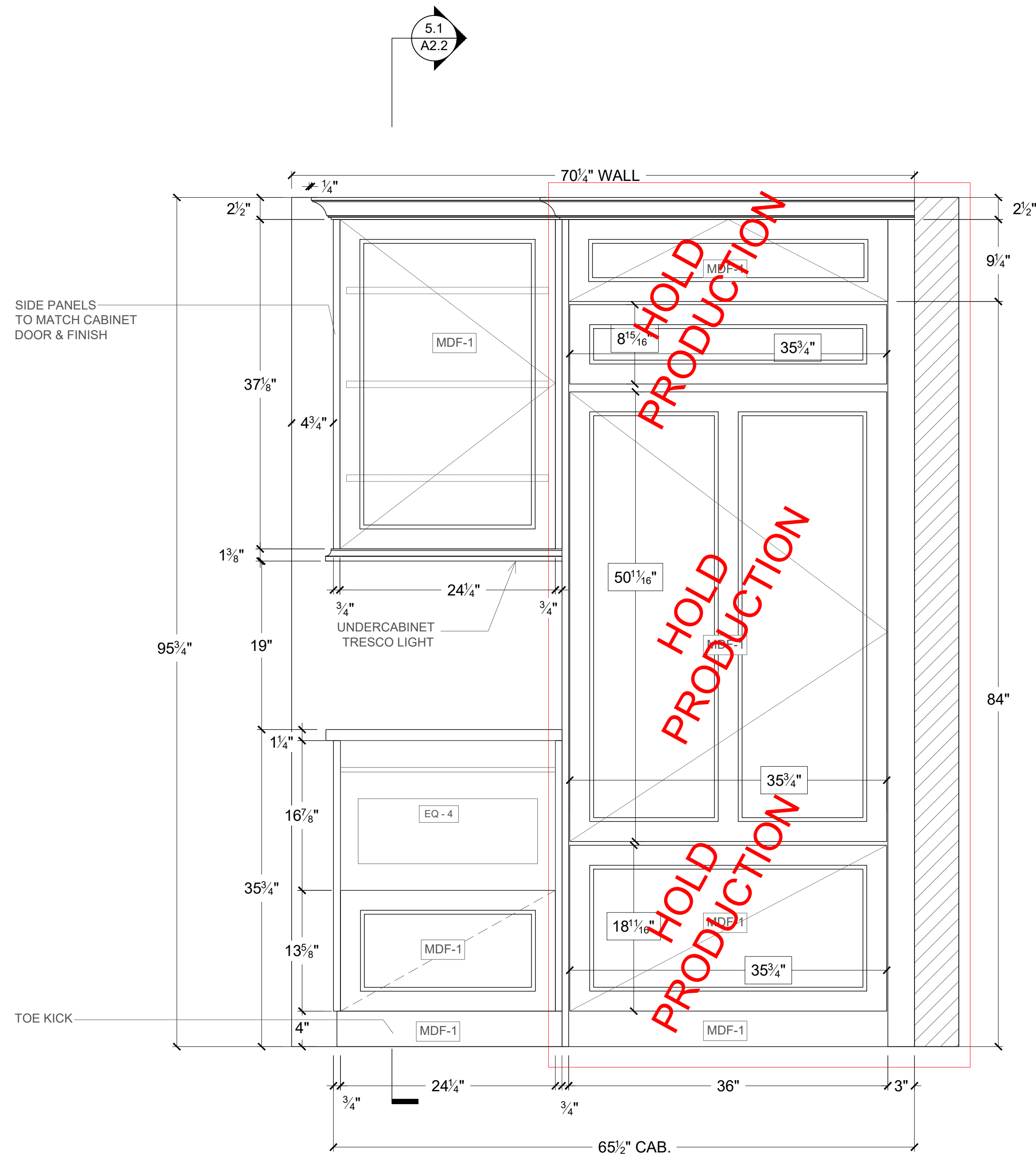
REVISION #4: \_/ \_/ \_

REVISION #5: \_/ \_/ \_

APPROVED BY:

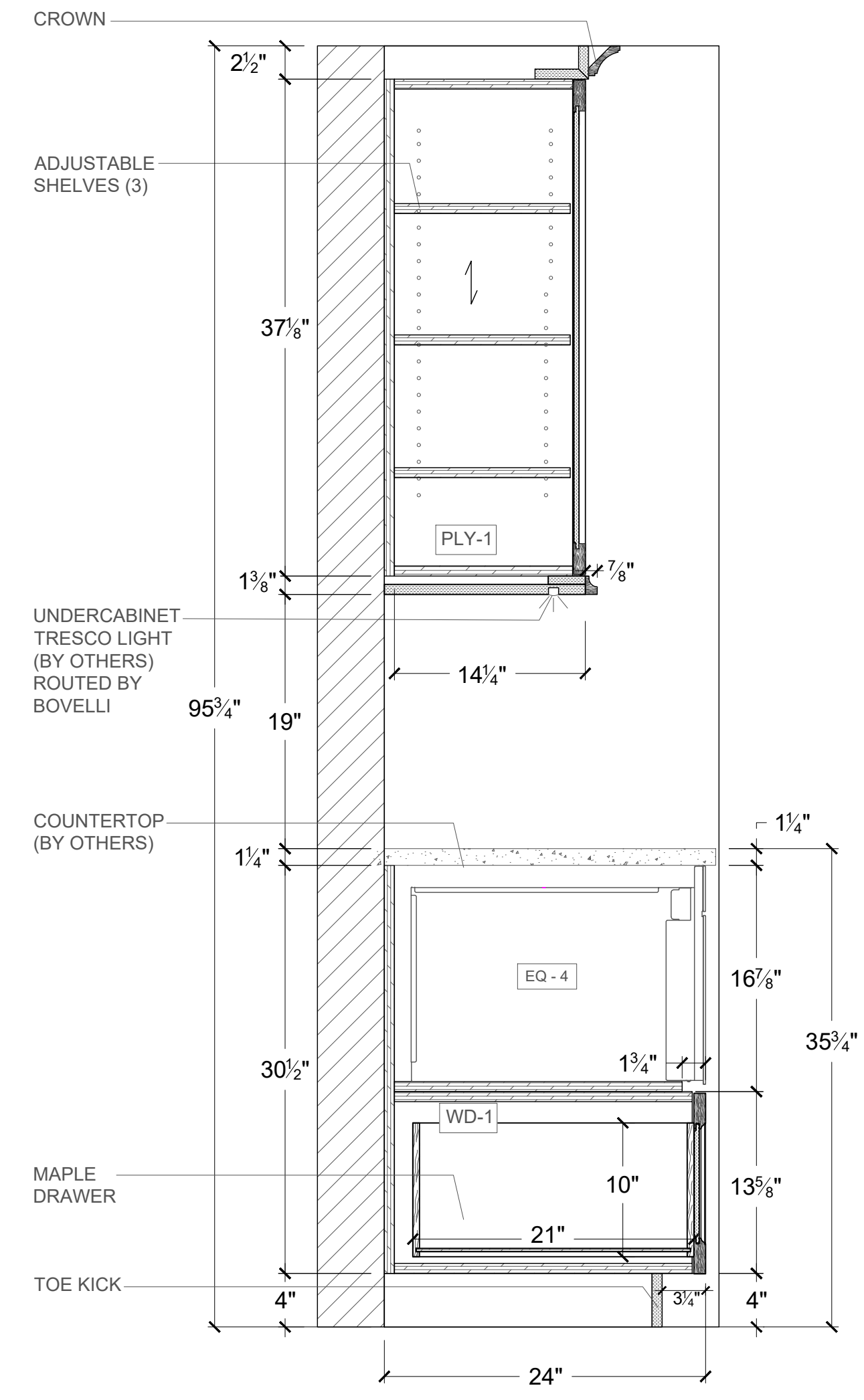
CLIENT SIGNATURE:

DATE:



5 ELEVATION VIEW

Scale: 1-1/4" = 1' 0"



5.1 SECTION VIEW

Scale: 1-1/4" = 1' 0"

CLIENT NAME/INFO:

ADDRESS:

ROOM:  
KITCHEN

PRODUCT DESIGN AND SPECIFICATION:

MATERIAL:

WD-1	MAPLE
PLY-1	MAPLE PLYWOOD
MDF-1	BENJAMIN MOORE/ SWISS COFFEE/ OC-45
MDF-2	
ST	STONE
GL	GLASS
MT	METAL

DESIGN:

EDGEBANDING	MATCH TO EXTERIOR
COUNTERTOPS	BY OTHERS
BACKSPLASH	BY OTHERS
DECORATIVE HARDWARE	BY OTHERS
APPLIANCES	BY OTHERS
LIGHTING	BY OTHERS
MIRRORS	BY OTHERS

PLUMBING ACESORIES:

F-1	FAUCET/ BY OTHERS
SK-1	SINK (BY OTHERS)

HARDWARE:

H-01	TRASH
------	-------

APPLIANCES:

EQ-1	REFRIGERATOR/ SUB-ZERO- 650 (BY OTHERS)
EQ-2	DISHWASHER/ BOSH/ SHV4303UC (BY OTHERS)
EQ-3	DOUBLE OVEN/ GE/ P17550SFSS (BY OTHERS)
EQ-4	MICROWAVE/ SHARP/ SKMD24F0AS (BY OTHERS)
EQ-5	COOKTOP/ TBD (BY OTHERS)
EQ-6	HOOD INSERT/ TBD (BY OTHERS)

CHANNEL:

CH - 1	TBD
--------	-----

OTHERS:

BY: KM

DRAWN: 08/01/2021

REVISION #1: 08/09/2021

REVISION #2: / /

REVISION #3: / /

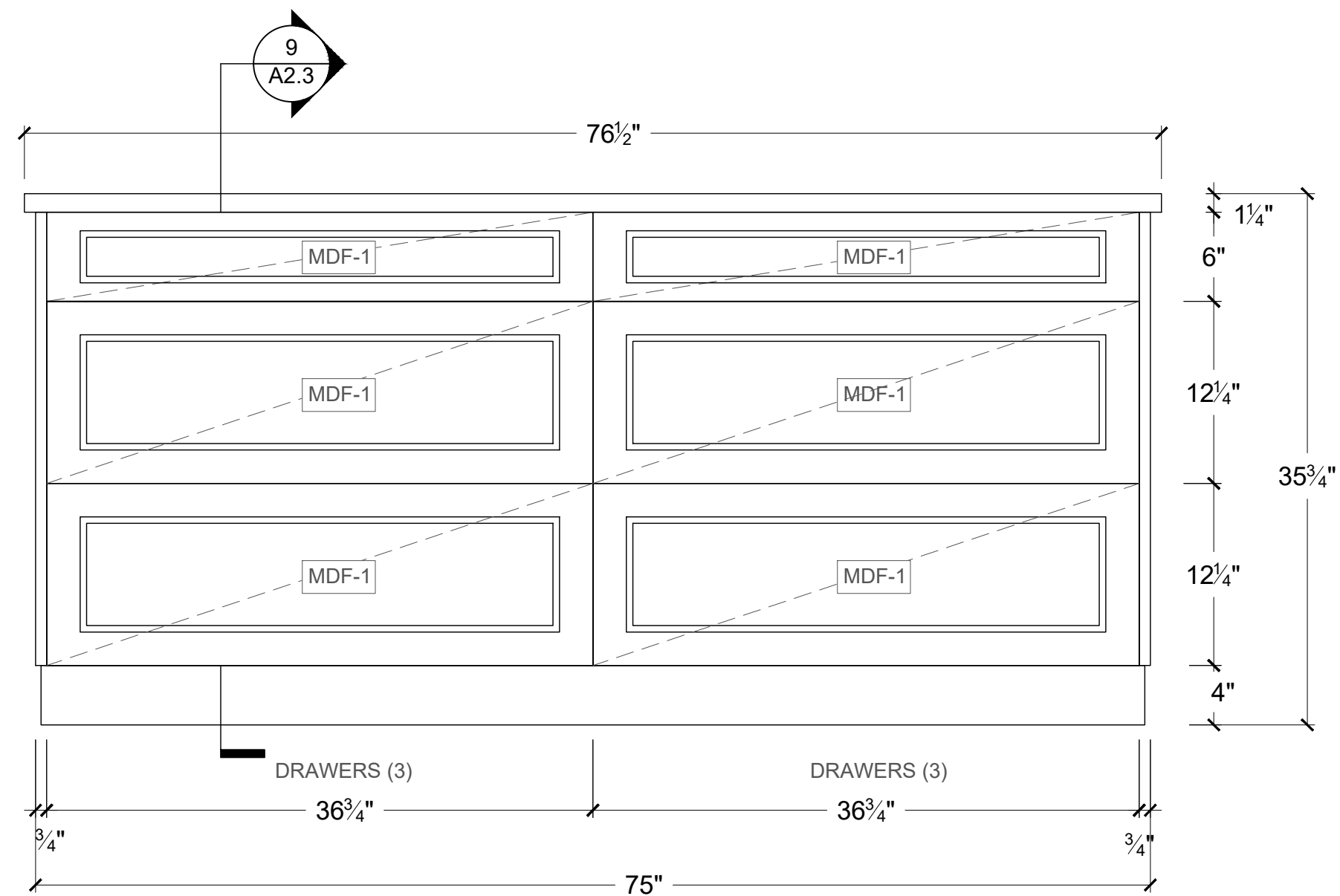
REVISION #4: / /

REVISION #5: / /

APPROVED BY:

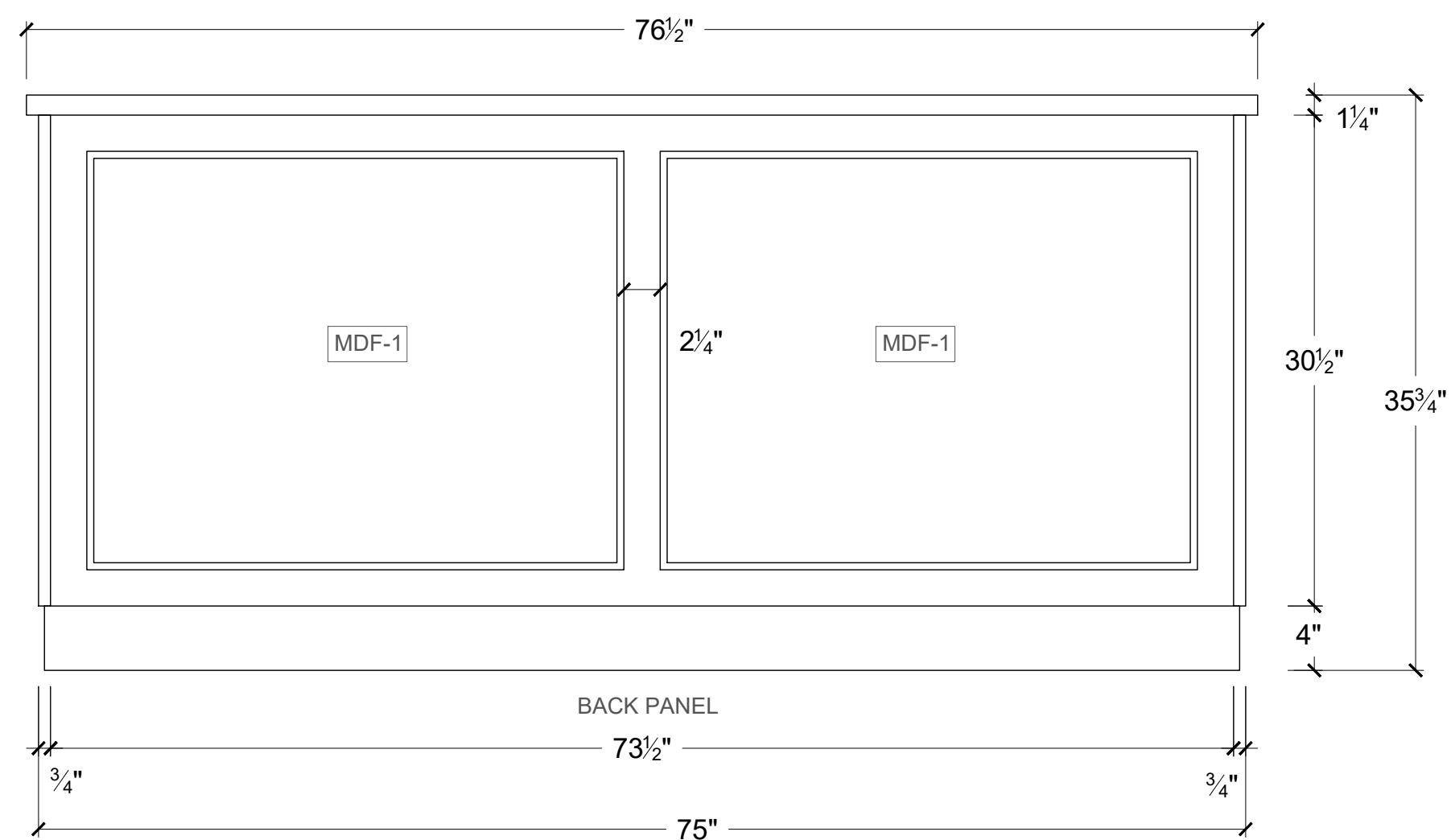
CLIENT SIGNATURE:

DATE:



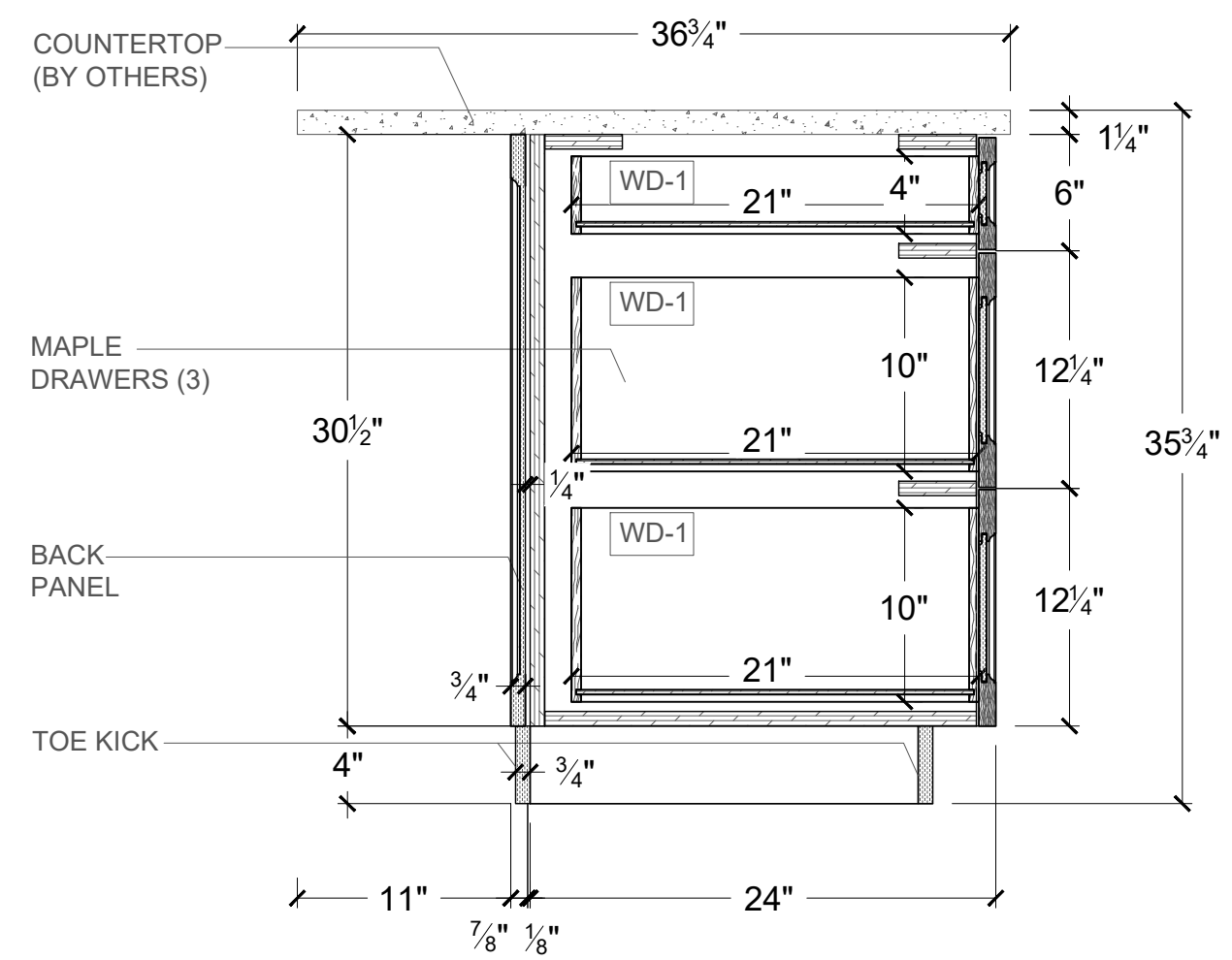
6 FRONT ISLAND ELEVATION VIEW

Scale: 1-1/4" = 1' 0"



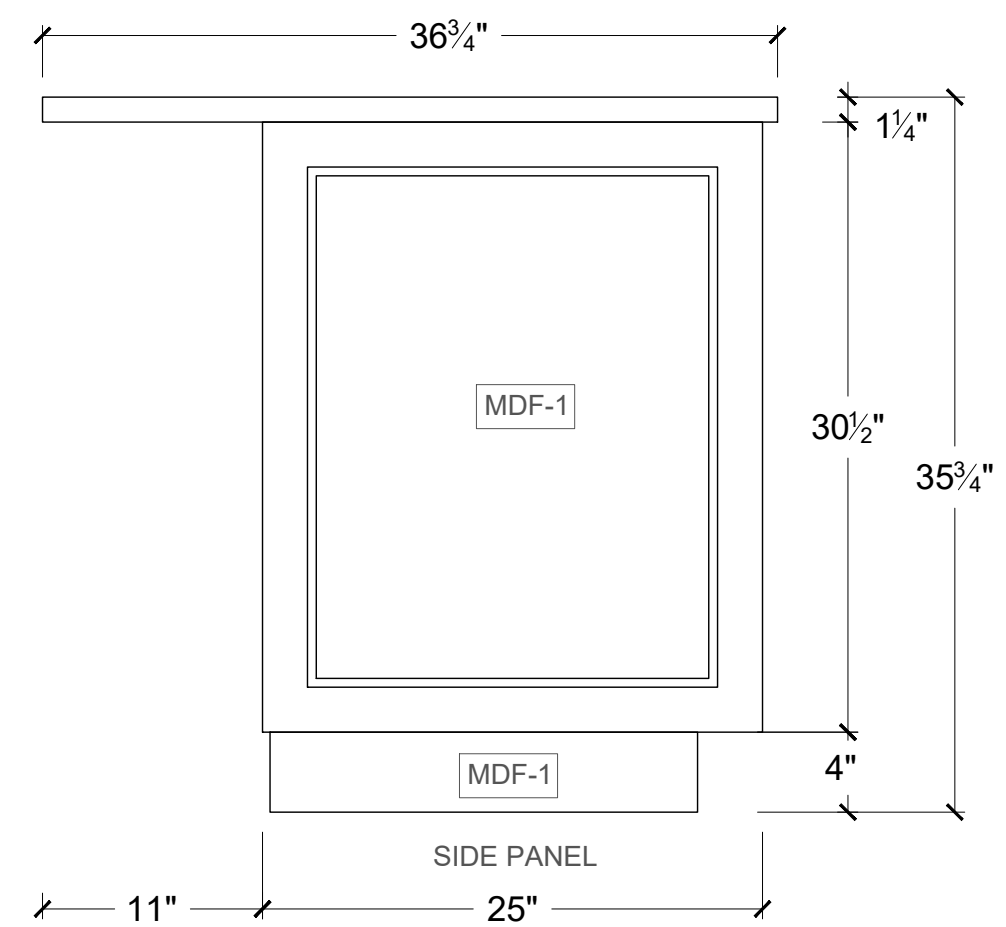
7 BACK ISLAND ELEVATION VIEW

Scale: 1-1/4" = 1' 0"



9 ISLAND SECTION VIEW

Scale: 1-1/4" = 1' 0"



8 SIDE ISLAND ELEVATION VIEW

Scale: 1-1/4" = 1' 0"

CLIENT NAME/INFO:

ADDRESS:

ROOM:  
KITCHEN

PRODUCT DESIGN AND SPECIFICATION:

MATERIAL:

WD-1	MAPLE
PLY-1	MAPLE PLYWOOD
MDF-1	BENJAMIN MOORE/ SWISS COFFEE/ OC-45
MDF-2	
ST	STONE
GL	GLASS
MT	METAL

DESIGN:

EDGE BANDING	MATCH TO EXTERIOR
COUNTERTOPS	BY OTHERS
BACKSPLASH	BY OTHERS
DECORATIVE HARDWARE	BY OTHERS
APPLIANCES	BY OTHERS
LIGHTING	BY OTHERS
MIRRORS	BY OTHERS

PLUMBING ACCESSORIES:

F-1	FAUCET/ BY OTHERS
SK-1	SINK (BY OTHERS)

HARDWARE:

H-01	TRASH
------	-------

APPLIANCES:

EQ-1	REFRIGERATOR/ SUB-ZERO- 650 (BY OTHERS)
EQ-2	DISHWASHER/ BOSH/ SHV4303UC (BY OTHERS)
EQ-3	DOUBLE OVEN/ GE/ P17550SFSS (BY OTHERS)
EQ-4	MICROWAVE/ SHARP/ SKMD24F0AS (BY OTHERS)
EQ-5	COOKTOP/ TBD (BY OTHERS)
EQ-6	HOOD INSERT/ TBD (BY OTHERS)

CHANNEL:

CH - 1	TBD
--------	-----

OTHERS:

BY: KM

DRAWN: 08/01/2021

REVISION #1: 08/09/2021

REVISION #2: \_/ \_/ \_

REVISION #3: \_/ \_/ \_

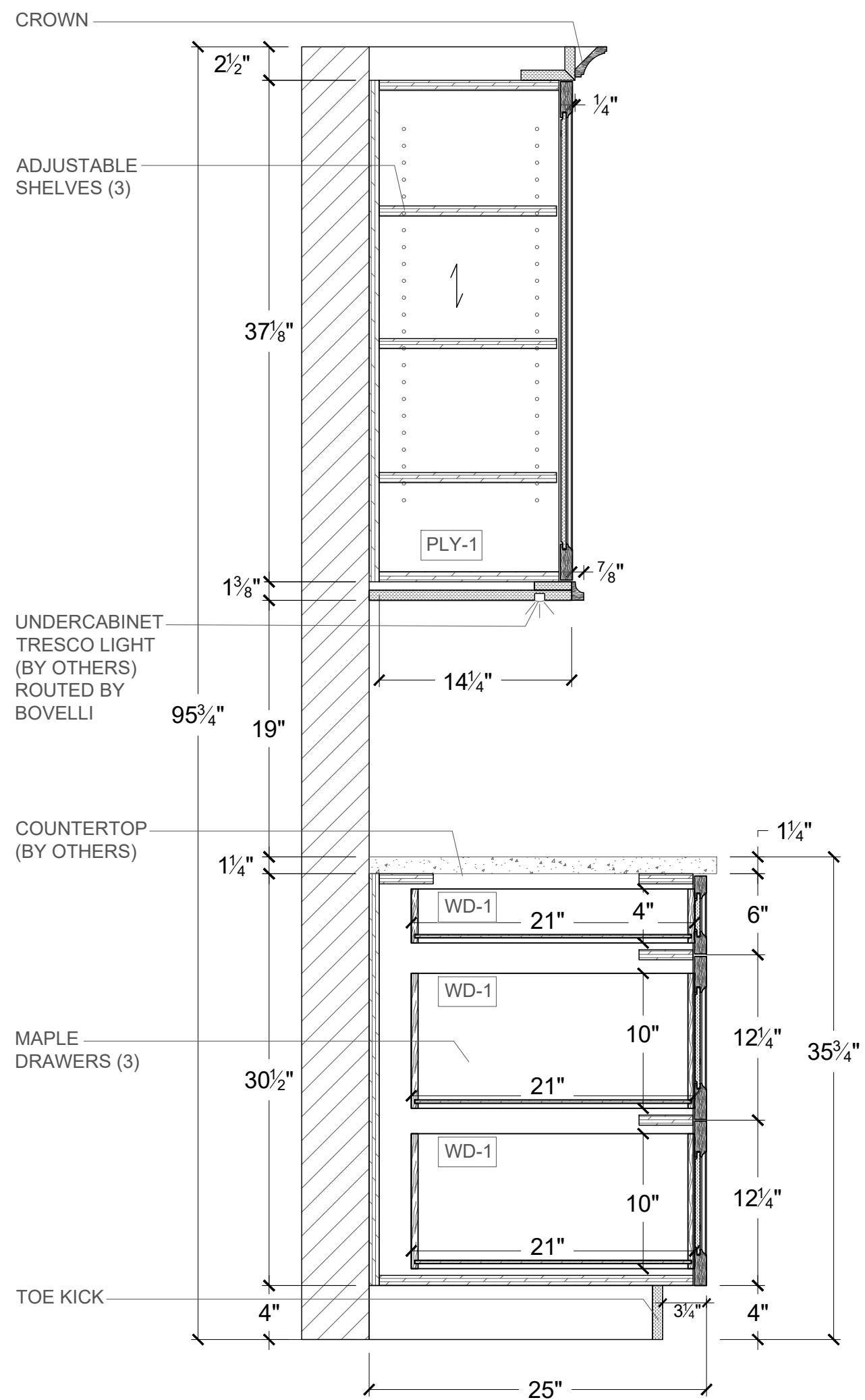
REVISION #4: \_/ \_/ \_

REVISION #5: \_/ \_/ \_

APPROVED BY:

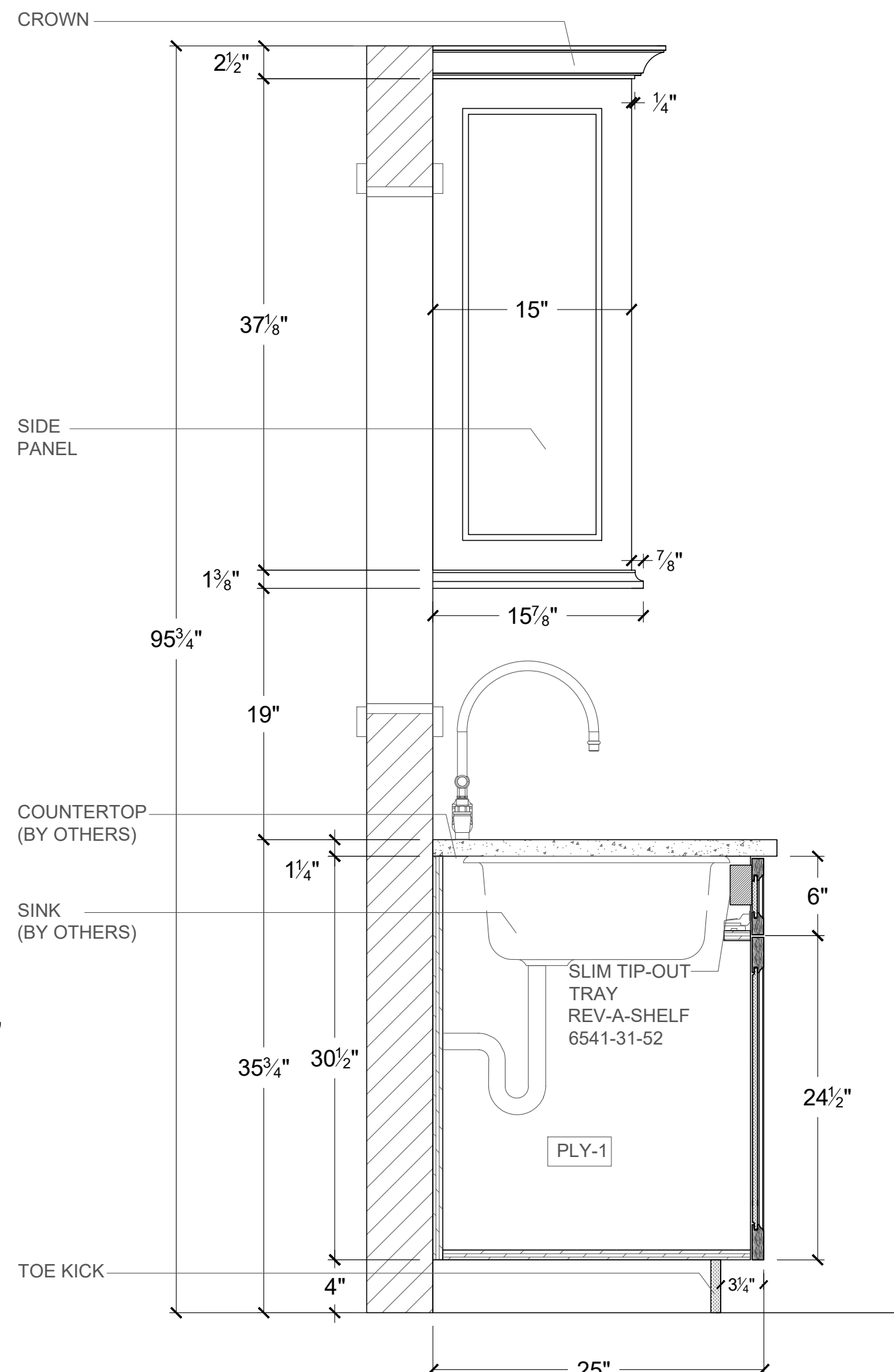
CLIENT SIGNATURE:

DATE:



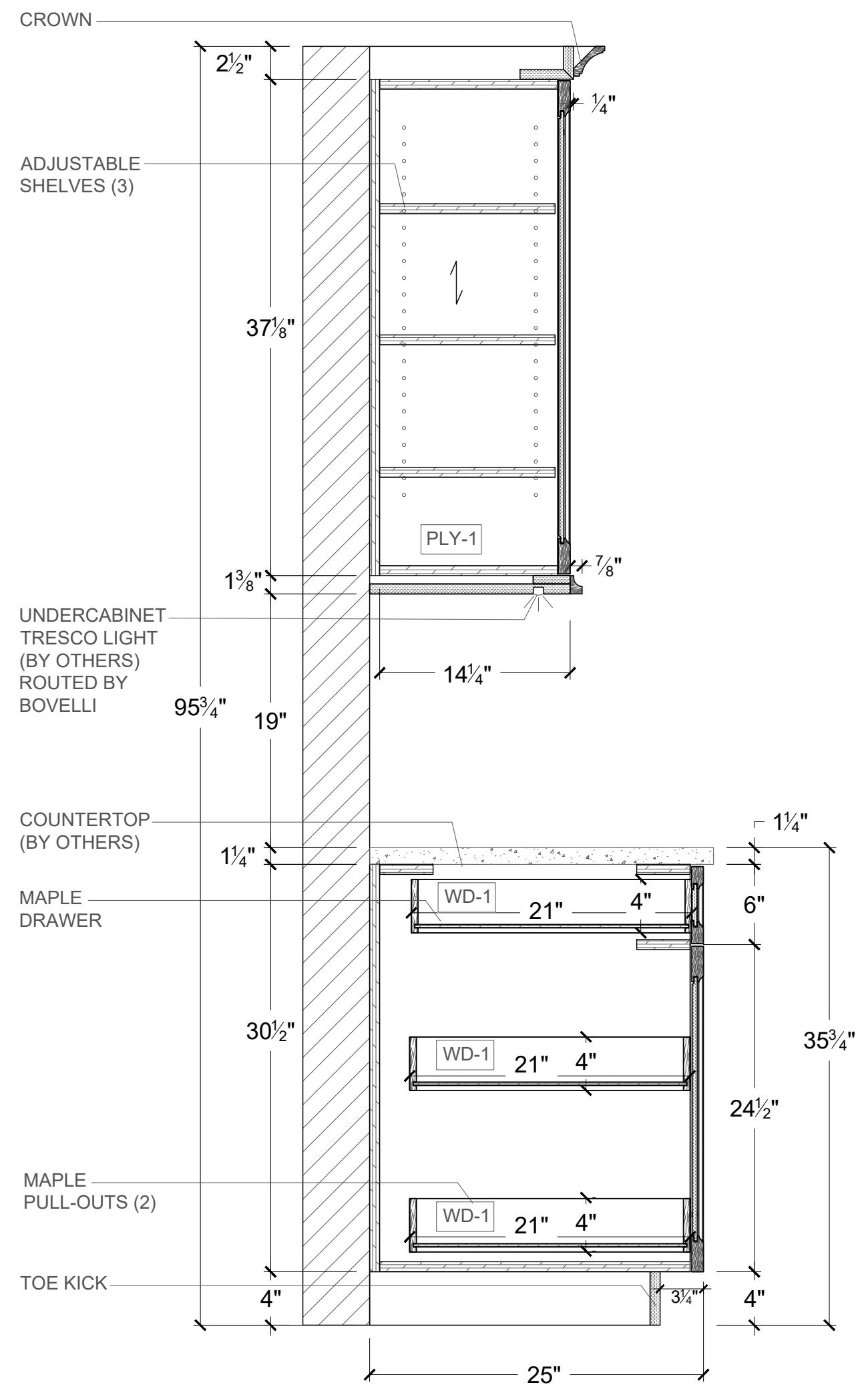
10 SECTION VIEW

Scale: 1-1/4" = 1' 0"



11 SECTION VIEW

Scale: 1-1/4" = 1' 0"



12 SECTION VIEW

Scale: 1-1/4" = 1' 0"

CLIENT NAME/INFO:

ADDRESS:

ROOM:  
KITCHEN

PRODUCT DESIGN AND SPECIFICATION:

MATERIAL:

WD-1	MAPLE
PLY-1	MAPLE PLYWOOD
MDF-1	BENJAMIN MOORE/ SWISS COFFEE/ OC-45
MDF-2	
ST	STONE
GL	GLASS
MT	METAL

DESIGN:

EDGEBANDING	MATCH TO EXTERIOR
COUNTERTOPS	BY OTHERS
BACKSPLASH	BY OTHERS
DECORATIVE HARDWARE	BY OTHERS
APPLIANCES	BY OTHERS
LIGHTING	BY OTHERS
MIRRORS	BY OTHERS

PLUMBING ACESORIES:

F-1	FAUCET/ BY OTHERS
SK-1	SINK (BY OTHERS)

HARDWARE:

H-01	TRASH
------	-------

APPLIANCES:

EQ-1	REFRIGERATOR/ SUB-ZERO- 650 (BY OTHERS)
EQ-2	DISHWASHER/ BOSH/ SHV4303UC (BY OTHERS)
EQ-3	DOUBLE OVEN/ GE/ P17550SFSS (BY OTHERS)
EQ-4	MICROWAVE/ SHARP/ SKMD24F0AS (BY OTHERS)
EQ-5	COOKTOP/ TBD (BY OTHERS)
EQ-6	HOOD INSERT/ TBD (BY OTHERS)

CHANNEL:

CH - 1	TBD
--------	-----

OTHERS:

BY: KM

DRAWN: 08/01/2021

REVISION #1: 08/09/2021

REVISION #2: / /

REVISION #3: / /

REVISION #4: / /

REVISION #5: / /

APPROVED BY:

CLIENT SIGNATURE:

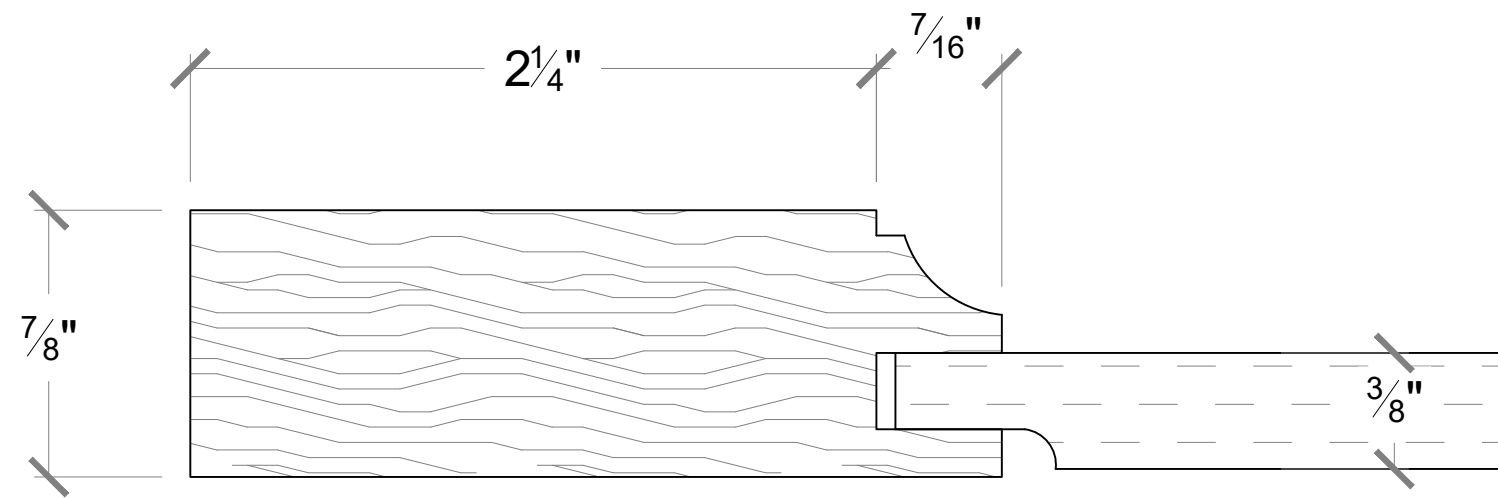
DATE:



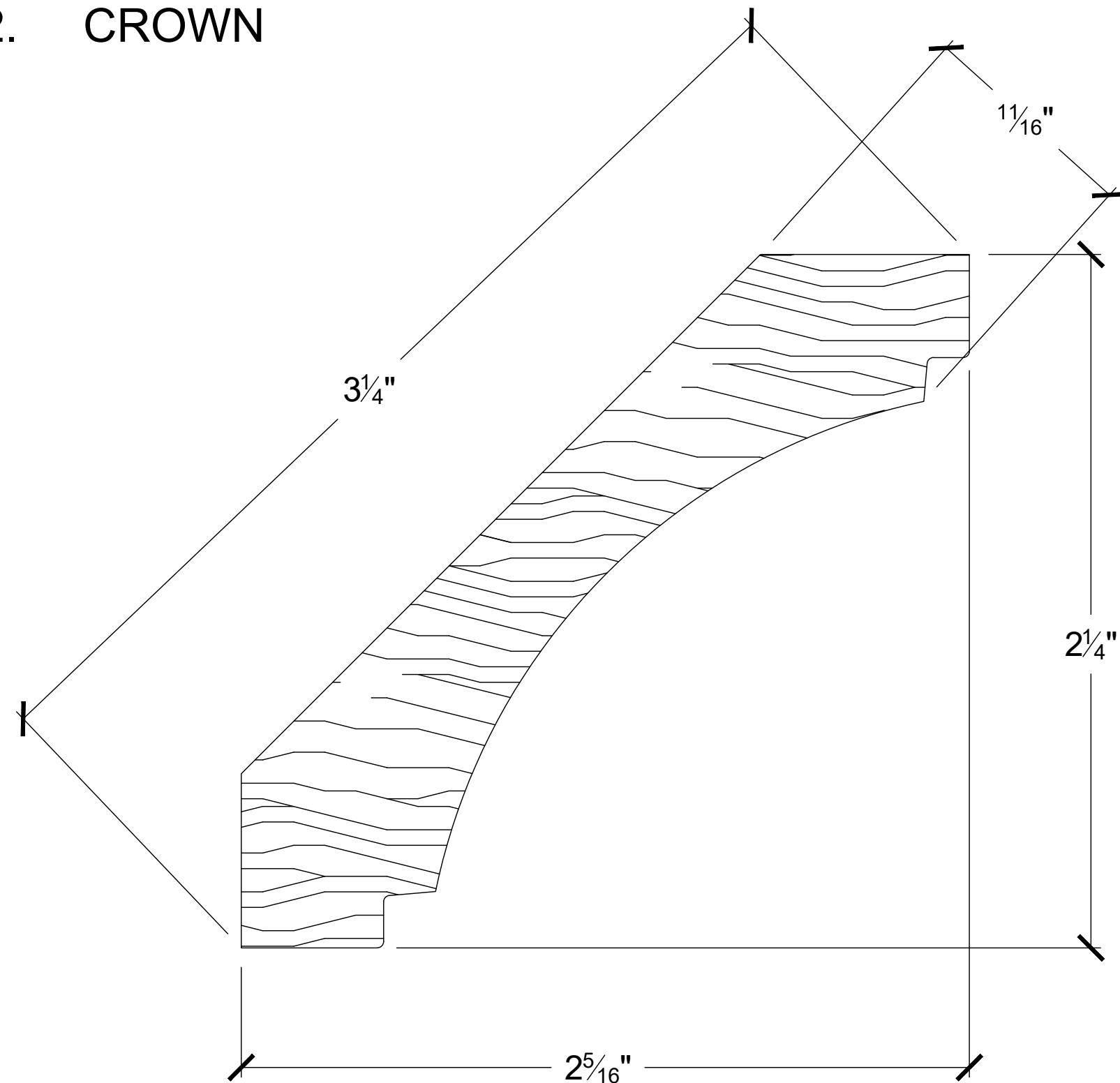




# 1. DOOR STYLE

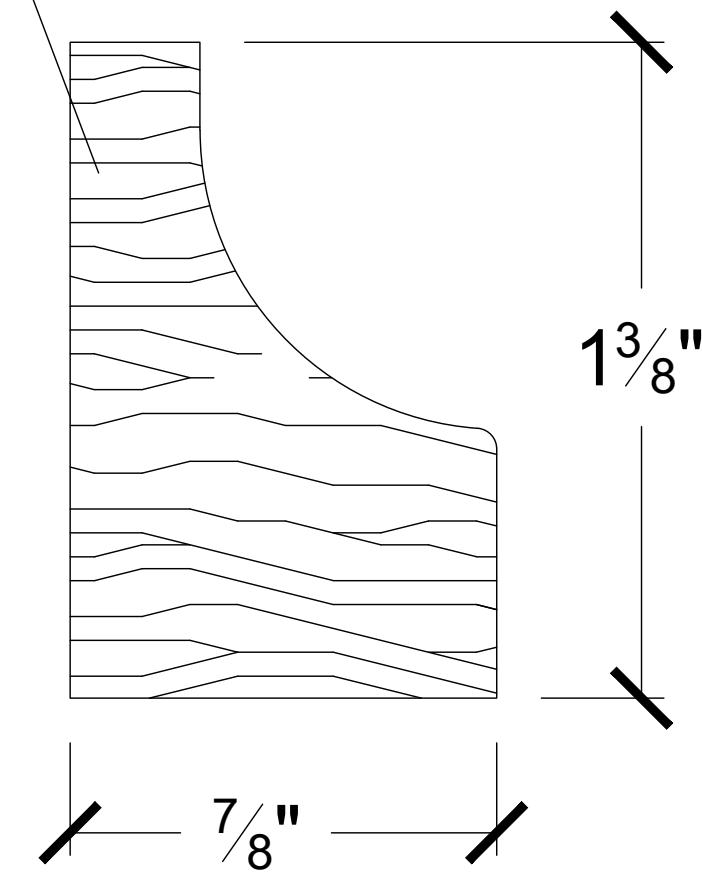


# 2. CROWN

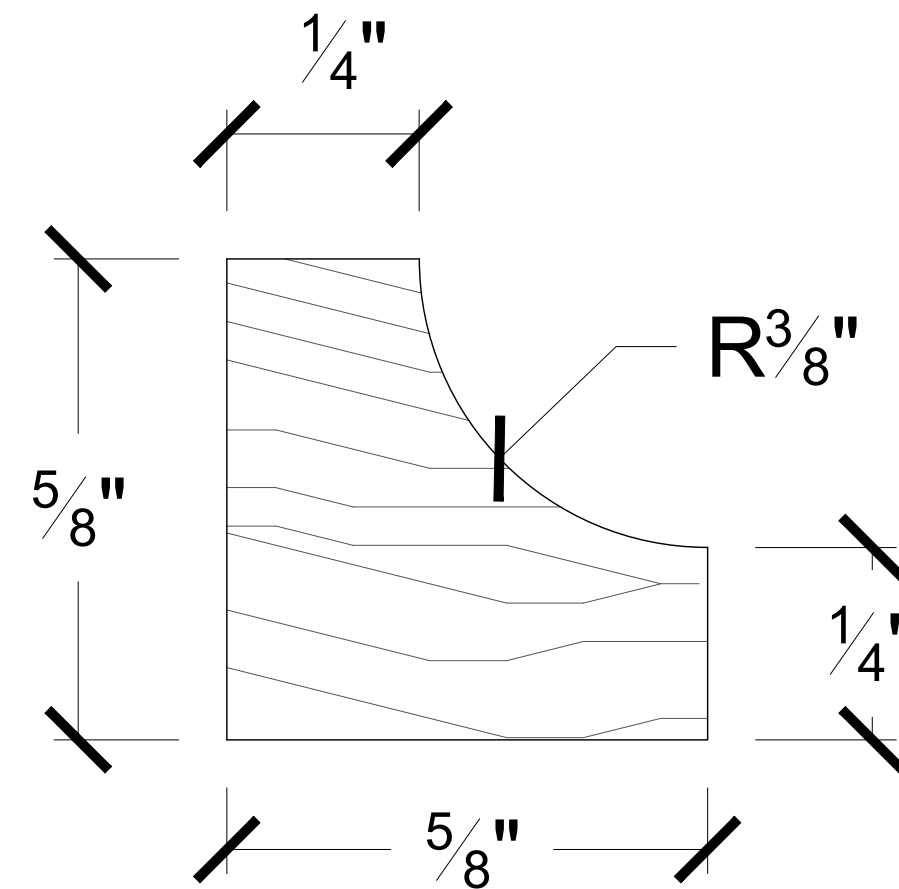


# 3. UNDERCABINET MOULDING

PART OF CP06 KNIFE



# 3. HOOD MOULDING



CLIENT NAME/INFO:

ADDRESS:

ROOM:  
KITCHEN

**PRODUCT DESIGN AND SPECIFICATION:**

**MATERIAL:**

WD-1	MAPLE
PLY-1	MAPLE PLYWOOD
MDF-1	BENJAMIN MOORE/ SWISS COFFEE/ OC-45
MDF-2	
ST	STONE
GL	GLASS
MT	METAL

**DESIGN:**

EDGEBANDING	MATCH TO EXTERIOR
COUNTERTOPS	BY OTHERS
BACKSPLASH	BY OTHERS
DECORATIVE HARDWARE	BY OTHERS
APPLIANCES	BY OTHERS
LIGHTING	BY OTHERS
MIRRORS	BY OTHERS

**PLUMBING ACESORIES:**

F-1	FAUCET/ BY OTHERS
SK-1	SINK (BY OTHERS)

**HARDWARE:**

H-01	TRASH
------	-------

**APPLIANCES:**

EQ-1	REFRIGERATOR/ SUB-ZERO- 650 (BY OTHERS)
EQ-2	DISHWASHER/ BOSH/ SHV4303UC (BY OTHERS)
EQ-3	DOUBLE OVEN/ GE/ P17550SFSS (BY OTHERS)
EQ-4	MICROWAVE/ SHARP/ SKMD24F0AS (BY OTHERS)
EQ-5	COOKTOP/ TBD (BY OTHERS)
EQ-6	HOOD INSERT/ TBD (BY OTHERS)

**CHANNEL:**

CH - 1	TBD
--------	-----

**OTHERS:**

BY: KM

DRAWN: 08/01/2021

REVISION #1: 08/09/2021

REVISION #2: \_/\_/\_

REVISION #3: \_/\_/\_

REVISION #4: \_/\_/\_

REVISION #5: \_/\_/\_

APPROVED BY:

CLIENT SIGNATURE:

DATE:

**DETAILS**